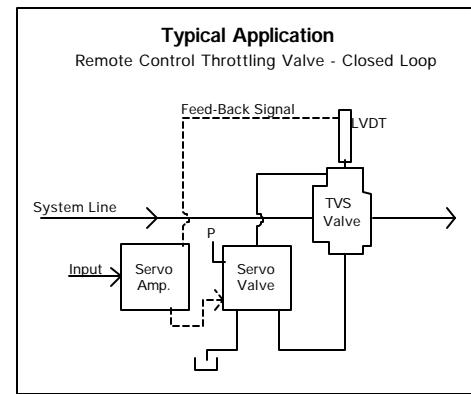


TVS_{SERIES}

Servo Response Valves - With Transducer



Description: The TVS is a servo* operated flow control valve with transducer feedback. Very precise control of high flow or pressure is possible due to the transducer feedback and minimal contained volume.

Applications: The TVS can be applied in a variety of applications that require feedback of relative flow based on the spool position.

Special Features:

- An integrated transducer provides precise feedback and is field adjustable.
- Fine resolution is provided by the minimal fluid volume utilized in the control system of the TVS.
- The servo valve* mounts directly on a ground surface of the TVS minimizing piping and wiring requirements.
- Quick response is provided via a main throttling spool that is

ZAYTRAN Standards:

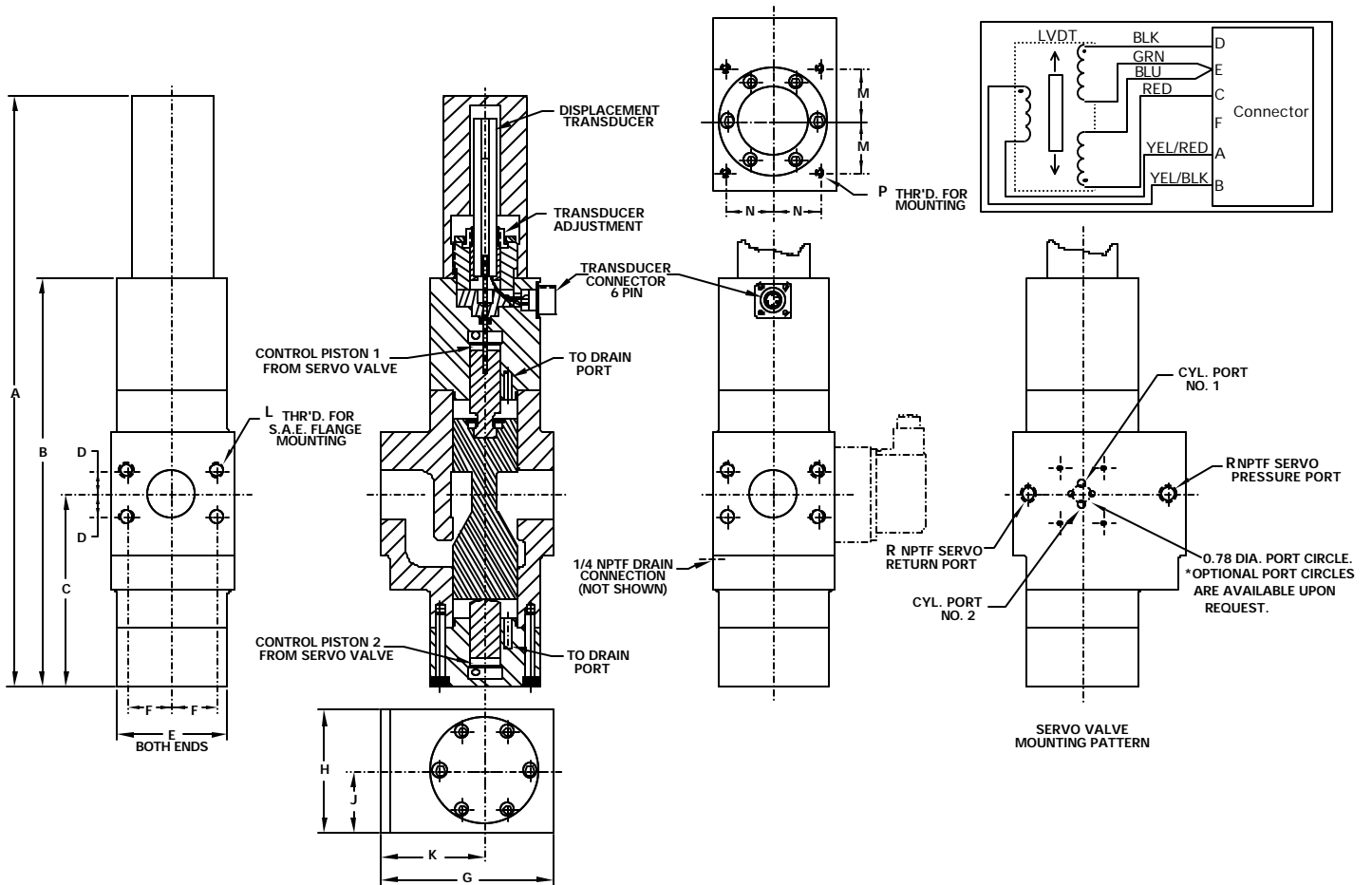
- Pressure drop is minimal due to large flow passages.
- In-Line mounting for ease of installation.
- SAE standard flange mounting patterns.
- A broad range of product rated at 3000 PSI (200 Bars) and up to 1500 GPM (5700 LPM).
- controlled by two smaller diameter control pistons. This design results in a minimal contained volume in the servo circuit.
- Reliability is assured by the arrangement of drain connections that prevents the mixing of control and main fluid systems.
- Durable high grade ductile iron body.
- Spool has a hardened engagement area for extended life.

* The servo valve is not supplied by ZAYTRAN

ZAYTRAN

ZAYTRAN

Servo Response Valves - With Transducer



English (Inches)	A	B	C	D	E	F	G	H	J	K	L	M	N	P	R
3200 (2")	19.87	15.50	7.18	0.84	3.87	1.53	6.21	5.25	2.62	3.87	1/2"-13	1.80	1.62	3/8"-16	1/4"
4800 (3")	33.75	22.62	12.00	1.21	6.00	2.09	10.87	6.00	3.00	7.00	5/8"-11	-	-	-	3/8"
Metric (mm)	A	B	C	D	E	F	G	H	J	K	L	M	N	P	R
3200	504.7	393.7	182.4	21.3	98.3	38.9	157.7	133.4	66.5	98.3	1/2"-13	45.7	3/8"-16	3/8"-16	1/4"
4800	857.3	574.5	304.8	30.7	152.4	53.1	276.1	152.4	76.2	177.8	5/8"-11	-	-	-	3/8"